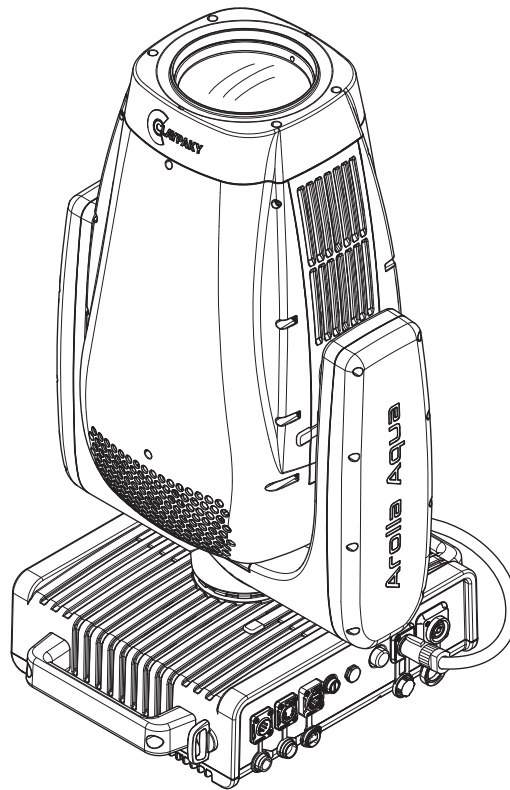


INSTRUCTION MANUAL



INDEX

Page	Contents
2	1. Safety information
3	2. Unpacking and preparation
4	3. Installation and start-up
4	3.1 Installing the fixture
4	3.2 Connecting to the mains supply
5	3.3 Connecting the signal control line: DMX / Art-Net
5	3.4 Switching on the fixture and basic setup
7	4. Maintenance
7	4.1 Opening the covers
8	4.2 Periodical cleaning
9	4.3 Effect module removal
12	4.4 Rotating gobos
14	4.5 Battery removal
15	5. Dimensions

Congratulations on choosing a Claypaky product!

We thank you for your custom.

Please note that this product, as all the others in the rich Claypaky range, has been designed and made with total quality to ensure excellent performance and best meet your expectations and requirements.

1. SAFETY INFORMATION

EN

SAFETY INFORMATION

IMPORTANT: Claypaky recommend you to carefully read and keep the safety information on this product, also available in digital format at the following link:

www.claypaky.com

Ref: [FIS02M - Safety Information Arolla Aqua]

IT

INFORMAZIONI DI SICUREZZA

IMPORTANTE: Claypaky raccomanda di leggere accuratamente e conservare le informazioni di sicurezza relative a questo prodotto, sempre reperibili in versione digitale al seguente link:

www.claypaky.com

Rif: [FIS02M - Safety Information Arolla Aqua]

DE

INFORMATIONEN ZUR SICHERHEIT

WICHTIG: Claypaky empfiehlt, die Sicherheitsinformationen bezüglich dieses Produkts genau zu lesen und aufzubewahren. Sie sind in Digitalversion immer unter folgendem Link auffindbar:

www.claypaky.com

Ref: [FIS02M - Safety Information Arolla Aqua]

ES

INFORMACIONES DE SEGURIDAD

IMPORTANTE: Claypaky recomienda leer detenidamente y conservar la información de seguridad relativa a este producto. Además, está disponible una versión digital de la misma en el siguiente enlace:

www.claypaky.com

Ref: [FIS02M - Safety Information Arolla Aqua]

FR

CONSIGNES DE SÉCURITÉ

IMPORTANT: Claypaky recommande de lire attentivement et de conserver les informations de sécurité relatives à ce produit, disponibles en version digitale au lien suivant:

www.claypaky.com

Réf. : [FIS02M - Safety Information Arolla Aqua]

RU

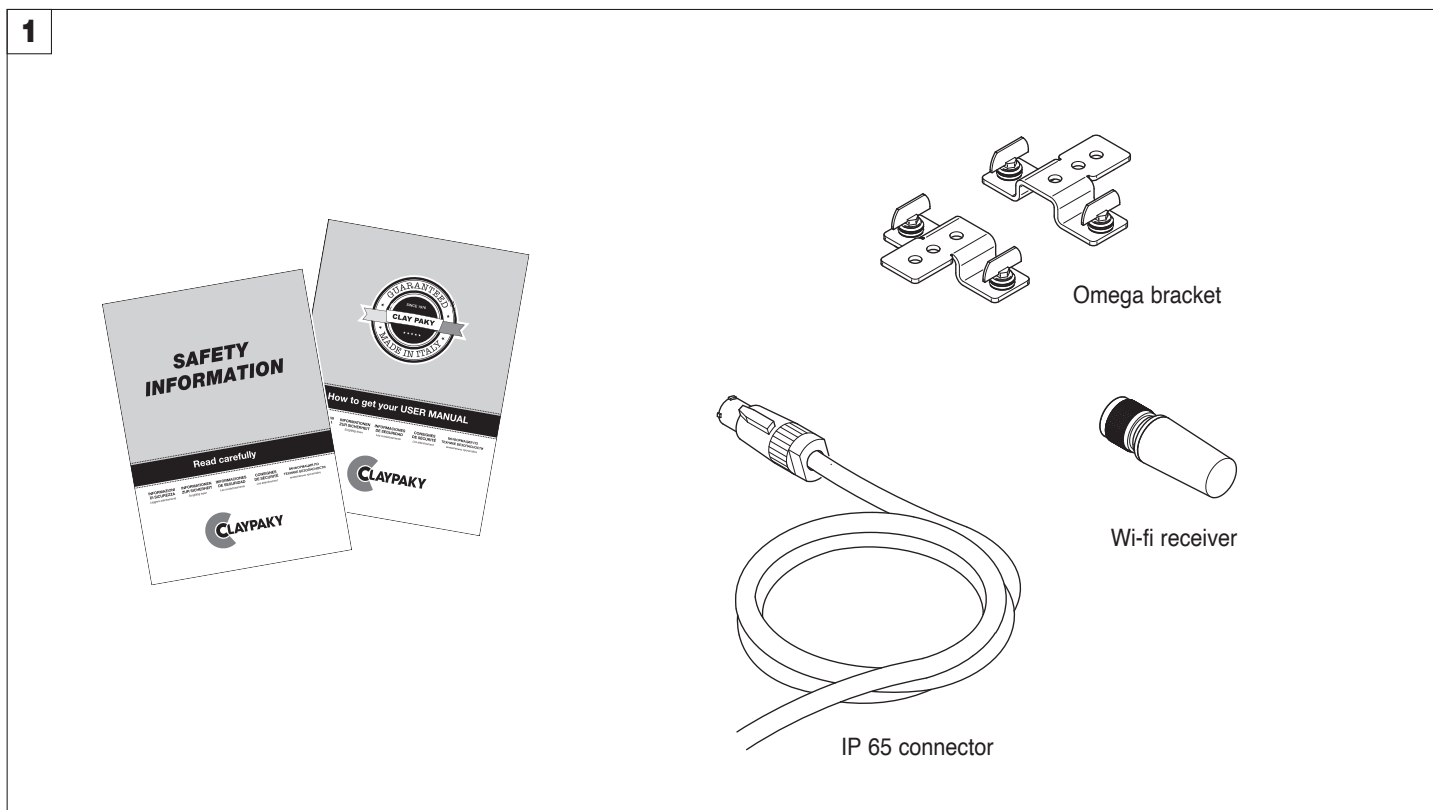
ИНСТРУКЦИЮ ПО ТЕХНИКЕ БЕЗОПАСНОСТИ

ВАЖНО: Клаураку рекомендует внимательно прочитать и сохранить инструкцию по технике безопасности данного изделия, которая всегда доступна в электронном формате по следующей ссылке:

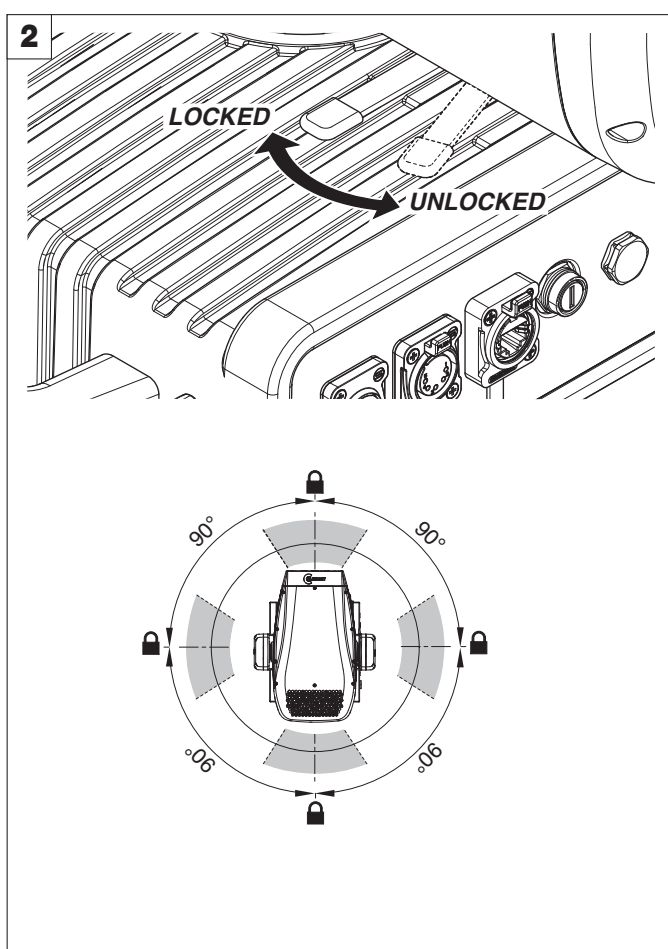
www.claypaky.com

Наименование: [FIS02M - Safety Information Arolla Aqua]

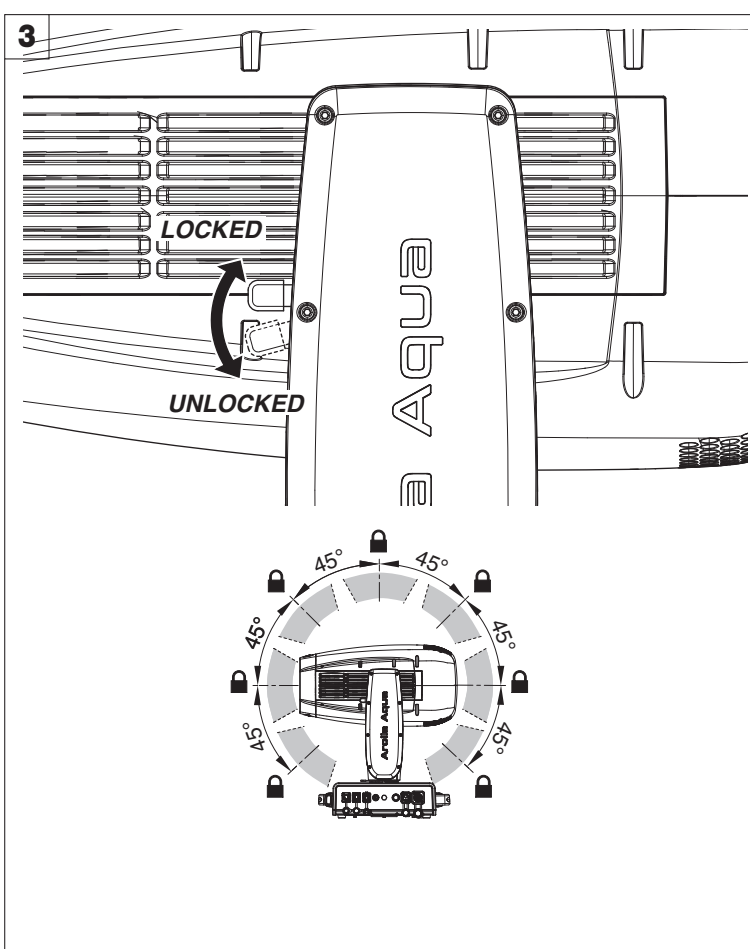
2. UNPACKING AND PREPARATION



Packing contents - Fig. 1



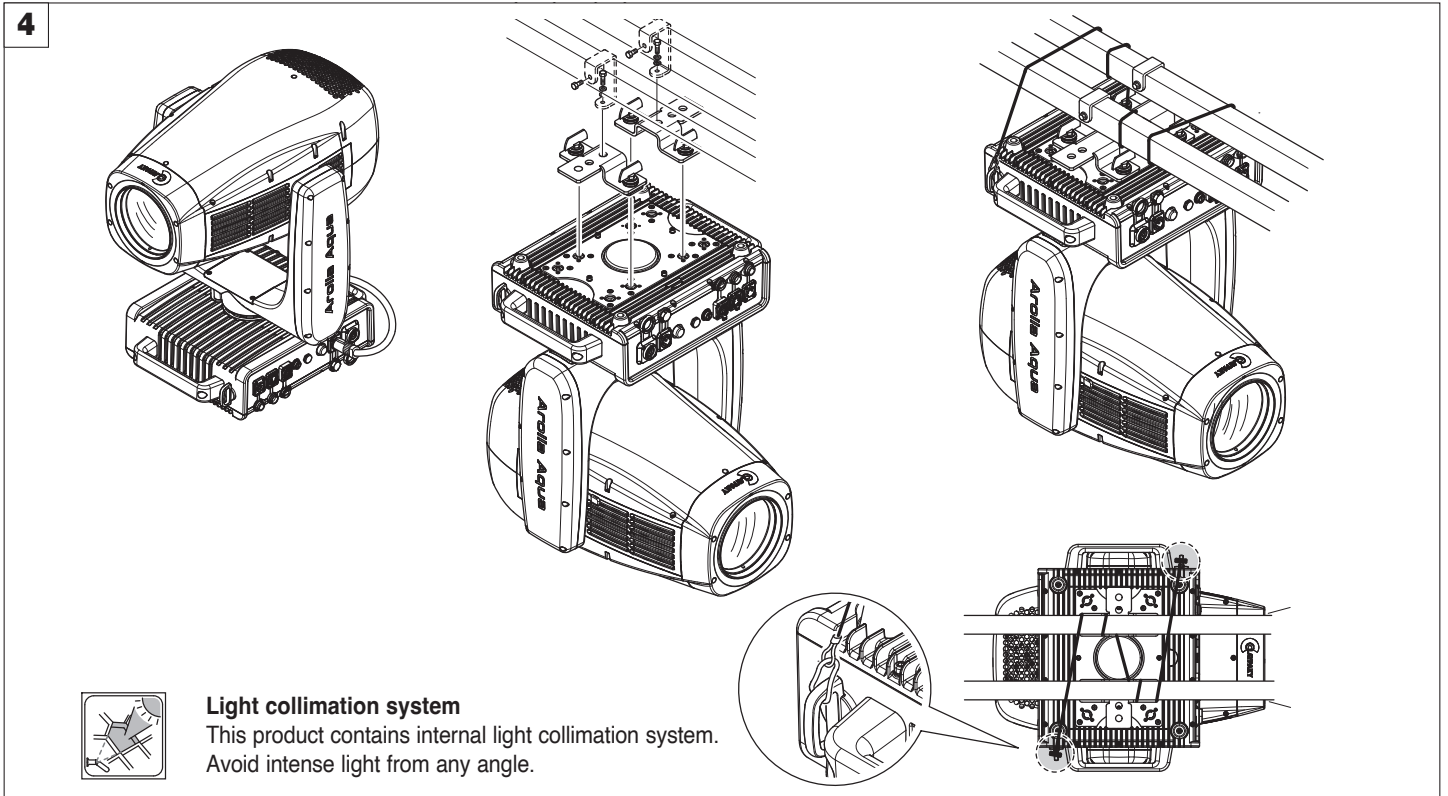
PAN Mechanism Lock and Release (every 90°) - Fig. 2



TILT Mechanism Lock and Release (every 45°) - Fig. 3

3. INSTALLATION AND START-UP

3.1 Installing the fixture

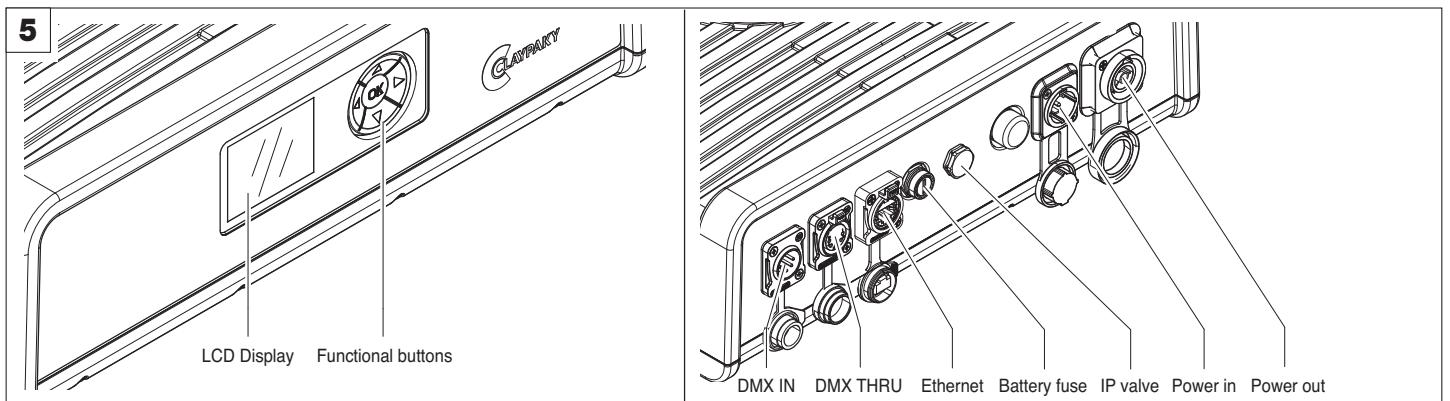


Installing the projector - Fig. 4

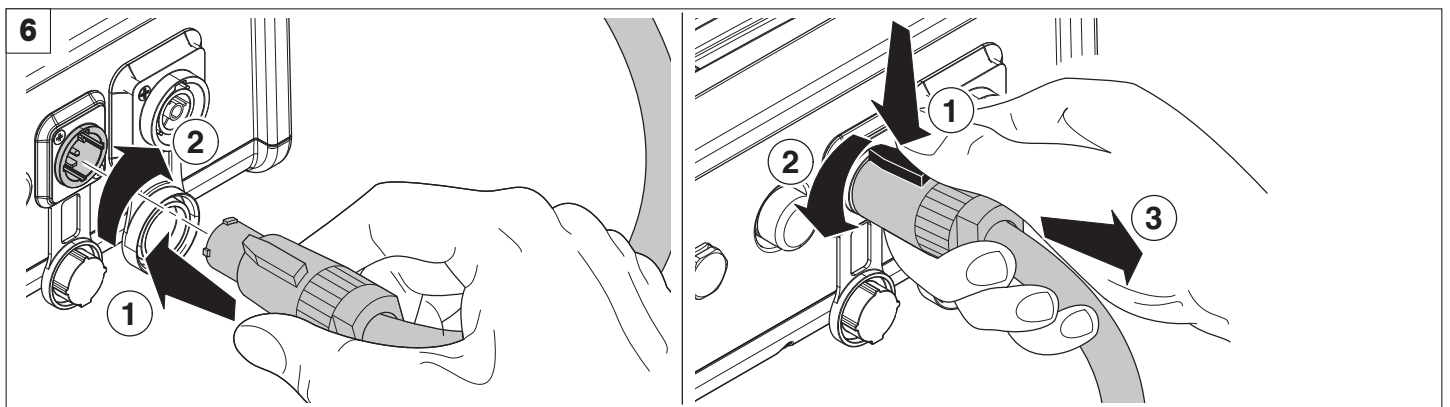
The projector can be installed on the floor resting on special rubber feet, on a truss or on the ceiling or wall.

WARNING: with the exception of when the projector is positioned on the floor, the safety cable must be fitted. (Cod. 105041/003 available on request). This must be securely fixed to the support structure of the projector and then connected to the fixing points of the base.

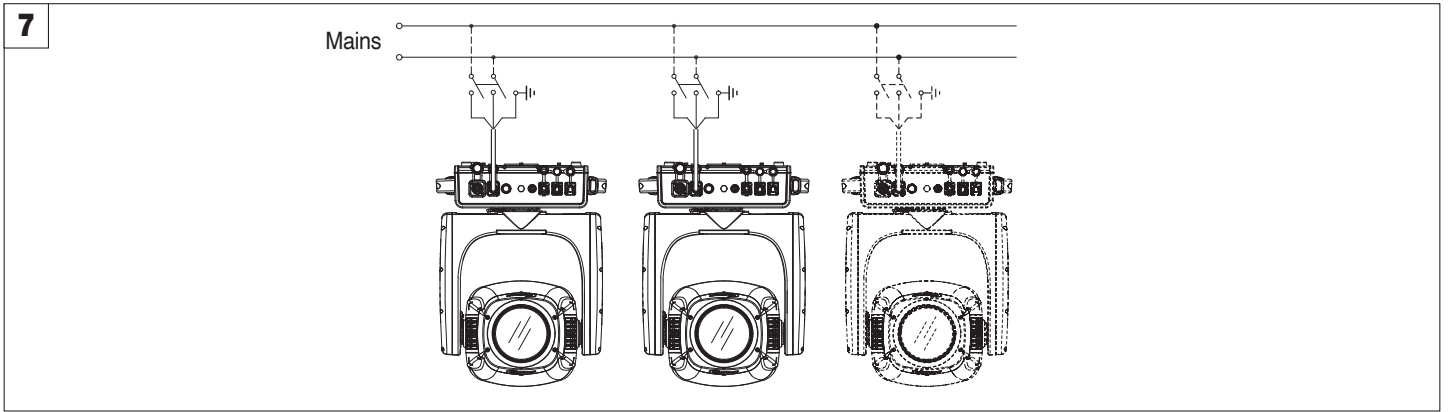
3.2 Connecting to the mains supply



Control panel - Fig. 5

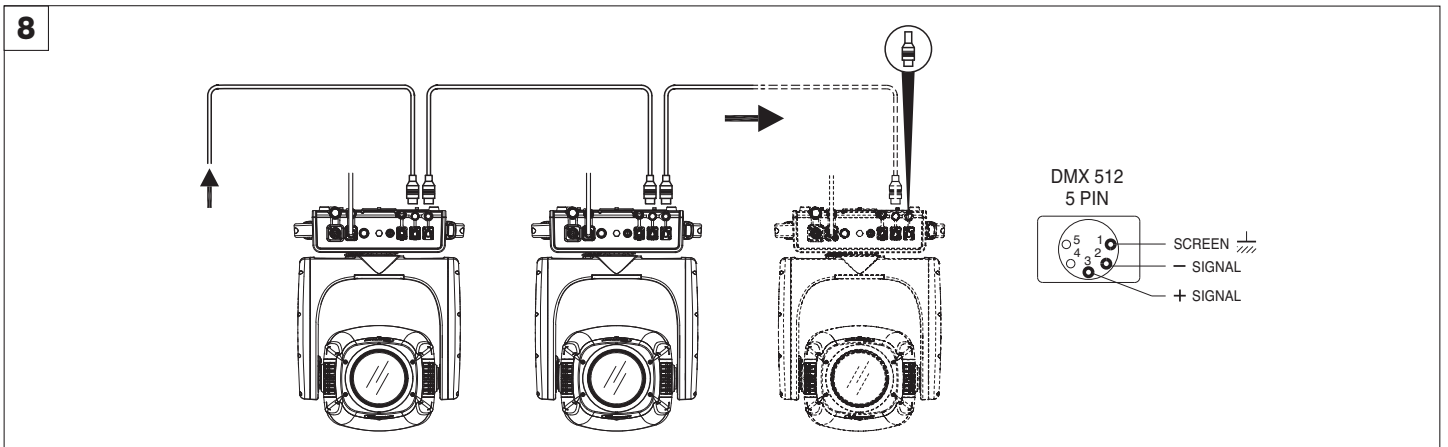


Connecting and disconnecting power cable - Fig. 6



Connecting to the mains supply - Fig. 7

3.3 Connecting the signal control line: DMX / Art-Net

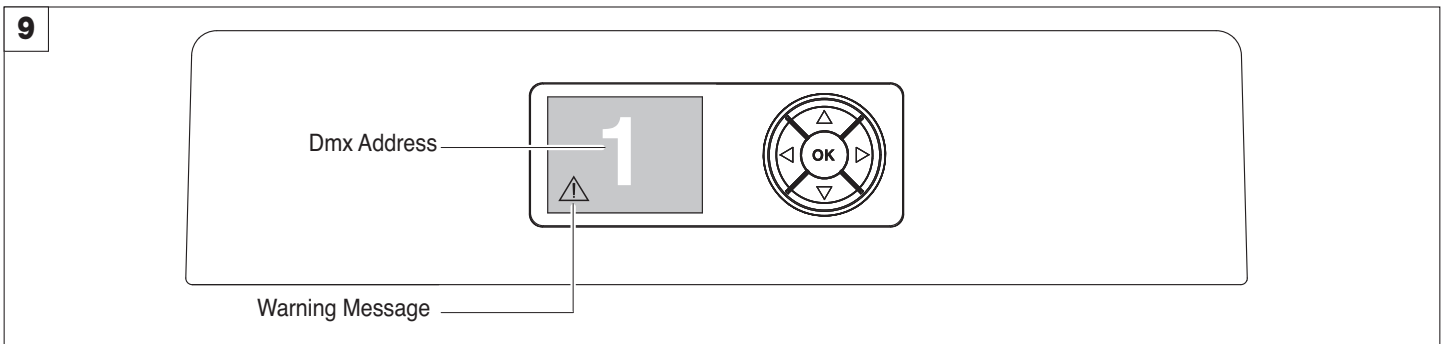


Connecting to the control signal line (DMX) - Fig. 8

Use a cable compliant to the EIA RS-485 specifications: 2-pole twisted, shielded, 120Ohm characteristic impedance, 22-24 AWG, low capacity. Do not use microphone cables or other cables with characteristics differing from those specified. The end connections must be made using XLR type 5-pin male/female connectors. A terminating plug must be inserted into the last projector with a resistance of 120Ohm (minimum 1/4 W) between terminals 2 and 3.

IMPORTANT: The wires must not make contact with each other or with the metal casing of the connectors. The casing itself must be connected to the shield braid and to pin 1 of the connectors.

3.4 Switching on the fixture and basic setup



Switching on the projector - Fig. 9

Plug the power connector. The projector starts resetting the effects. At the same time, the following information scrolls on the display:



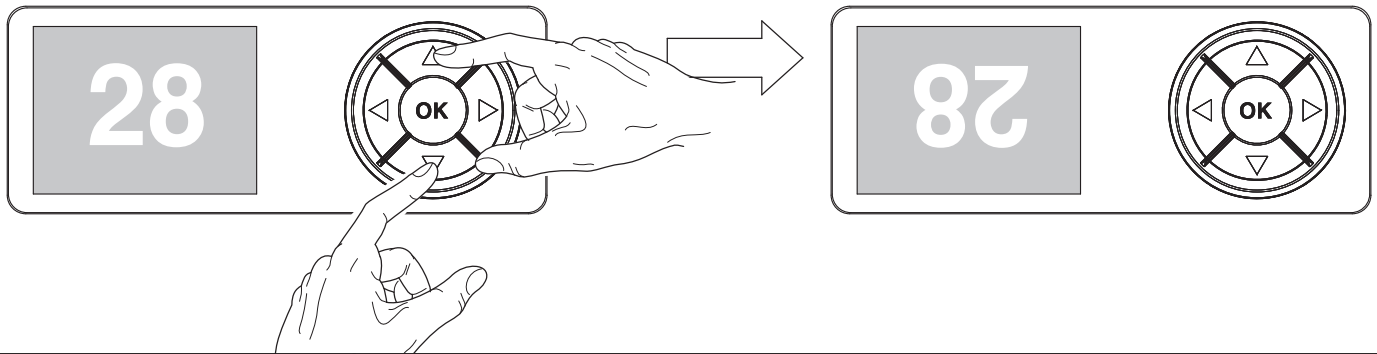
Model
**AROLLA
AQUA**

Firmware
Version X.X.X
Date - Hour



Dmx Address xxx

On conclusion of resetting in case of absence of the dmx signal, Pan and Tilt move to the "Home" position (Pan 128 bit - Tilt 128 bit). The control panel (Fig. 8) has a display and buttons for the complete programming and management of the projector menu. The display can be in one of two conditions: rest status and setting status. When it is in the rest status, the display shows the projector's DMX address.

During menu setting status, after a wait time (about 30 seconds) without any key having been pressed, the display automatically returns to rest status. It should be noted than when this condition occurs, any possible value that has been modified but not yet confirmed with the **OK** key will be cancelled.



Reversal of the display - Fig. 10

To activate this function, press UP  and DOWN  keys simultaneously while the display is in the rest mode. This status will be memorised and maintained even for the next time it will be switched on. To return to the initial state, repeat the operation all over again.

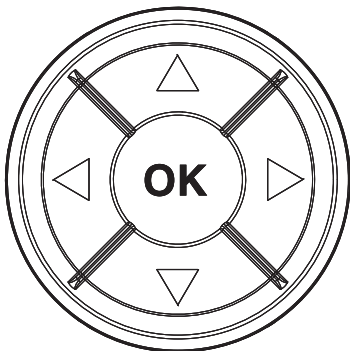
Setting the projector starting address

On each projector, the starting address must be set for the control signal (addresses from 1 to 512).

The address can also be set with the projector switched off.

IMPORTANT: If there is no DMX input signal the address displayed blinks.

Functions of the buttons - Using the menu



Confirms the displayed value, or activates the displayed function, or enters the successive menu.



Decreases the value displayed (with auto-repetitions) or passes to the next item in the menu.



Increases the value displayed (with auto-repetitions) or passes to the previous item in a menu.









Return to the top level




Enters the successive menu.

USING THE MENU:

- 1) Press LEFT  once – “Main Menu” appears on the display.
- 2) Use the UP  and DOWN  keys to select the menu to be used:
 - Setup (Setup Menu): To set the setting options.
 - Option (Option Menu): To set the operating options
 - Information (Information Menu): To read the counters, software version and other information.
 - Manual Control (Manual control Menu): To trigger the test and manual control functions.
 - Test (Test Menu): To check the proper functioning of effects
 - Advanced (Advanced Menu): Access to the "Advanced menu" is recommended for trained technical personnel.
- 3) Press  to display the first item in the selected menu.
- 4) Use the UP  and DOWN  keys to select the MENU items.

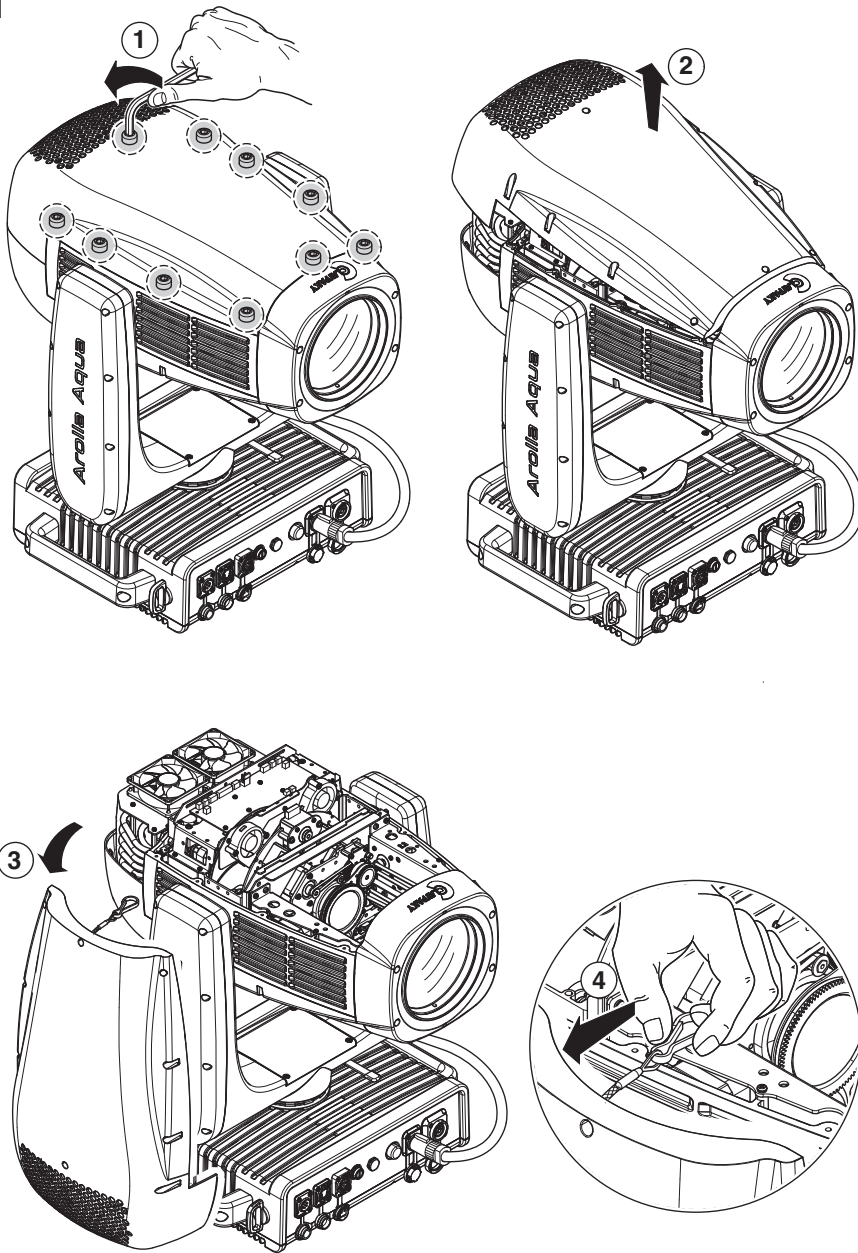
Setting addresses and options with the projector disconnected

The projector DMX address, as well as other possible operating options, can also be set when the appliance is disconnected from the electricity supply. All that is needed is to press RIGHT  to momentarily activate the display and thus access the settings. Once the required operations have been carried out, the display will switch off again after a wait time of 30 seconds.

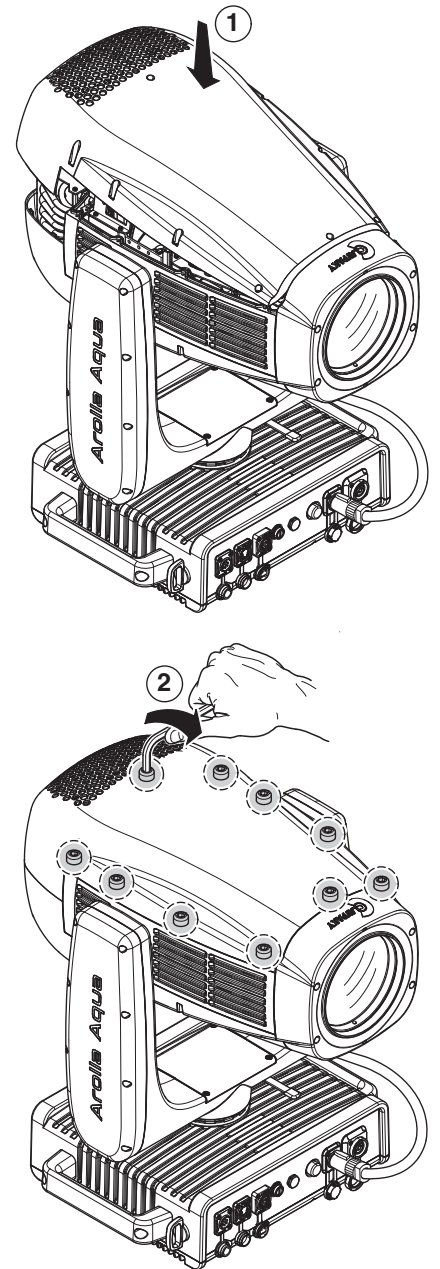
4. MAINTENANCE

4.1 Opening the covers

11



12



WARNING

- IP66 fixture
- Failure to completely remove power from fixture prior to servicing can lead to serious injury or death.

For additional service information please contact service@claypaky.it

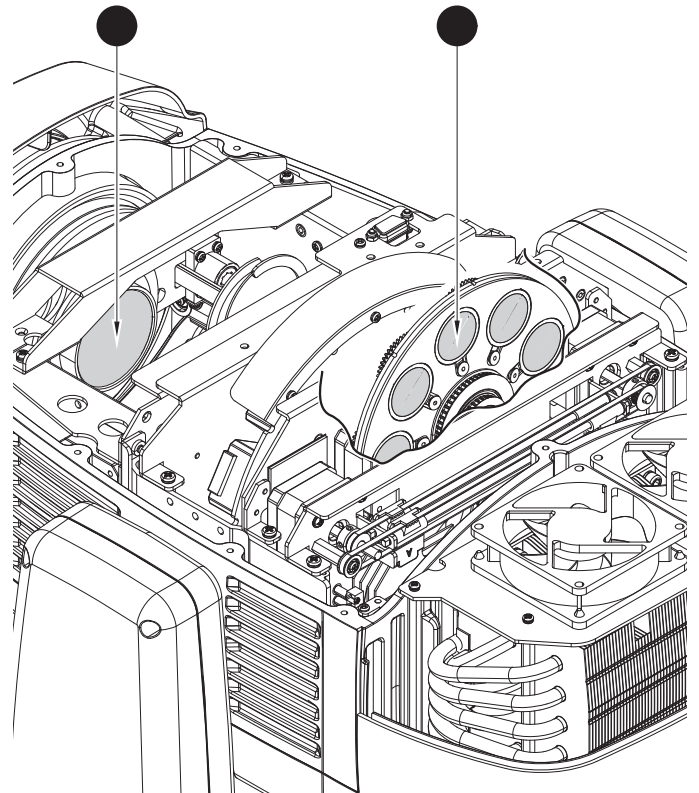
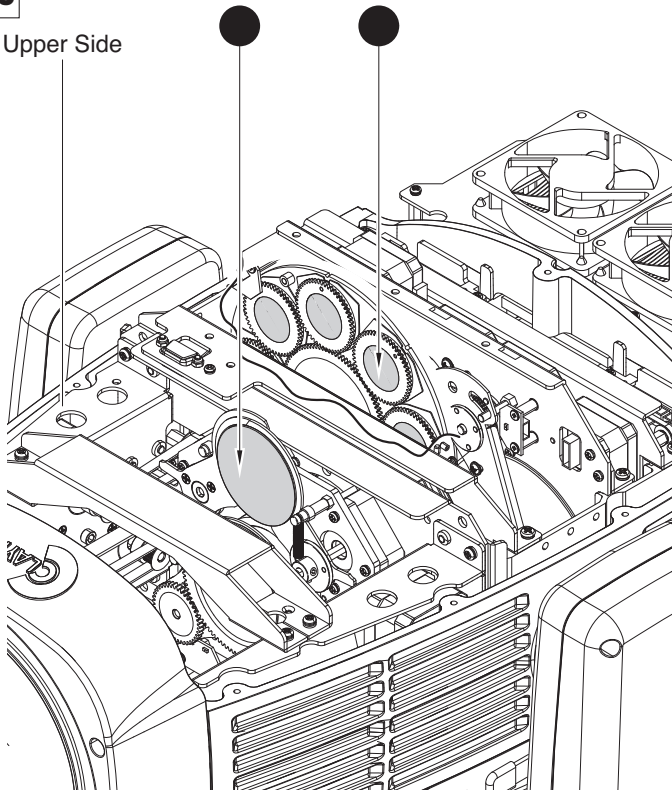
IMPORTANT

To maintain IP66 rating each cover has rubber gasket on it. If any rubber gasket is lost or damaged, it must be replaced by an original equipment (OE) part. We also suggest to replace the rubber sleeve gasket every 2 years.

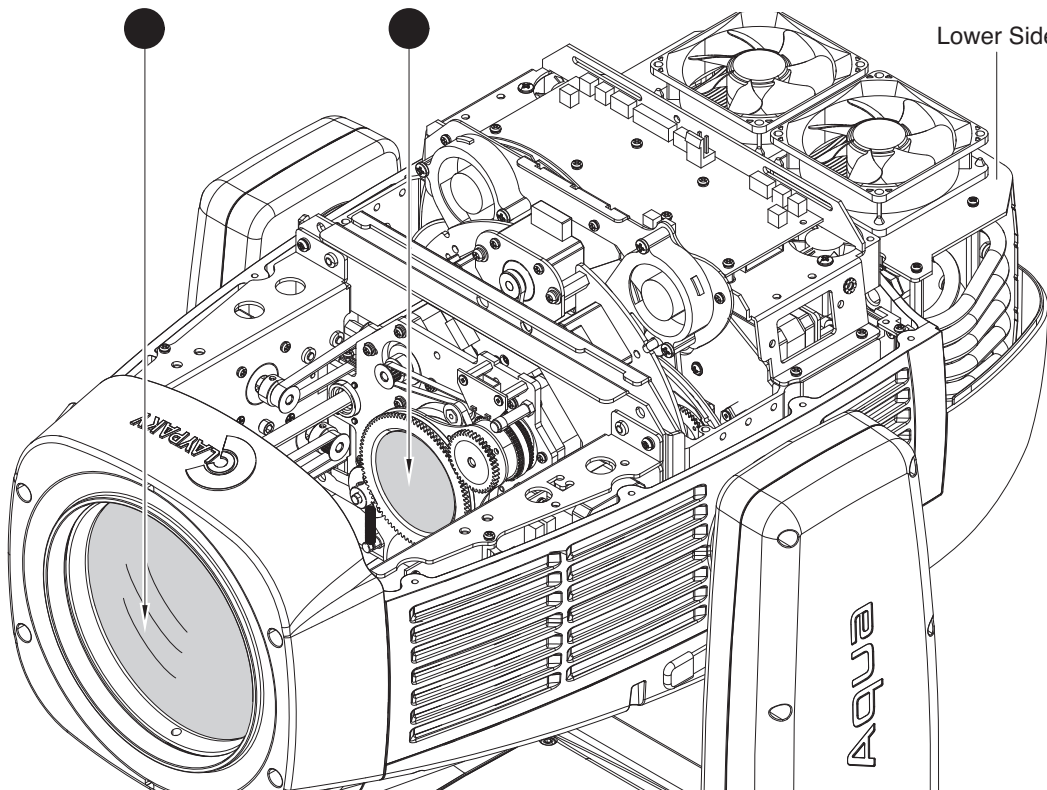
4.2 Periodical cleaning

13

Upper Side



Lower Side



Periodical cleaning - Fig. 13

To ensure optimal operation and performance for a long time it is essential to periodically clean the parts subject to dust and grease deposits. The frequency with which the following operations are to be carried out depends on various factors, such as the amount of the effects and the quality of the working environment (air humidity, presence of dust, salinity, etc.).

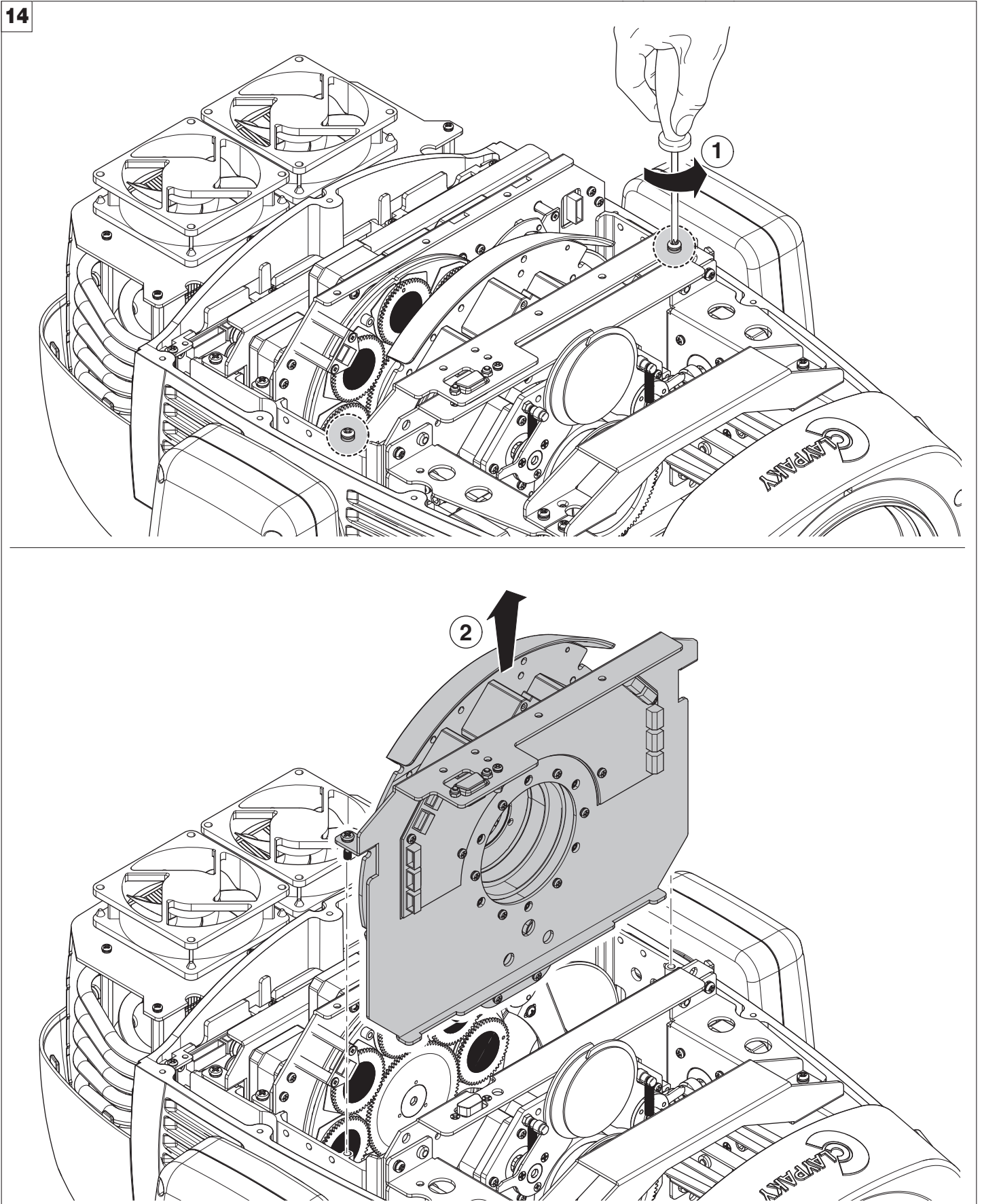
Use a soft cloth dampened with any detergent liquid for cleaning glass to remove the dirt from the reflectors, from the lenses and filters. It is recommended that the projector undergoes an annual service by a qualified technician for special maintenance involving at least the following operations:

- General cleaning of internal parts.
- Restoring lubrication of all parts subject to friction, using lubricants specifically supplied by Claypaky.
- General visual check of the internal components, cabling, mechanical parts, etc.
- Electrical, photometric and functional checks; eventual repairs.

NOTE: keep a careful cleaning of the "CMY/colour filters assembly" to prevent rapid deterioration.

4.3 Effect module removal

14



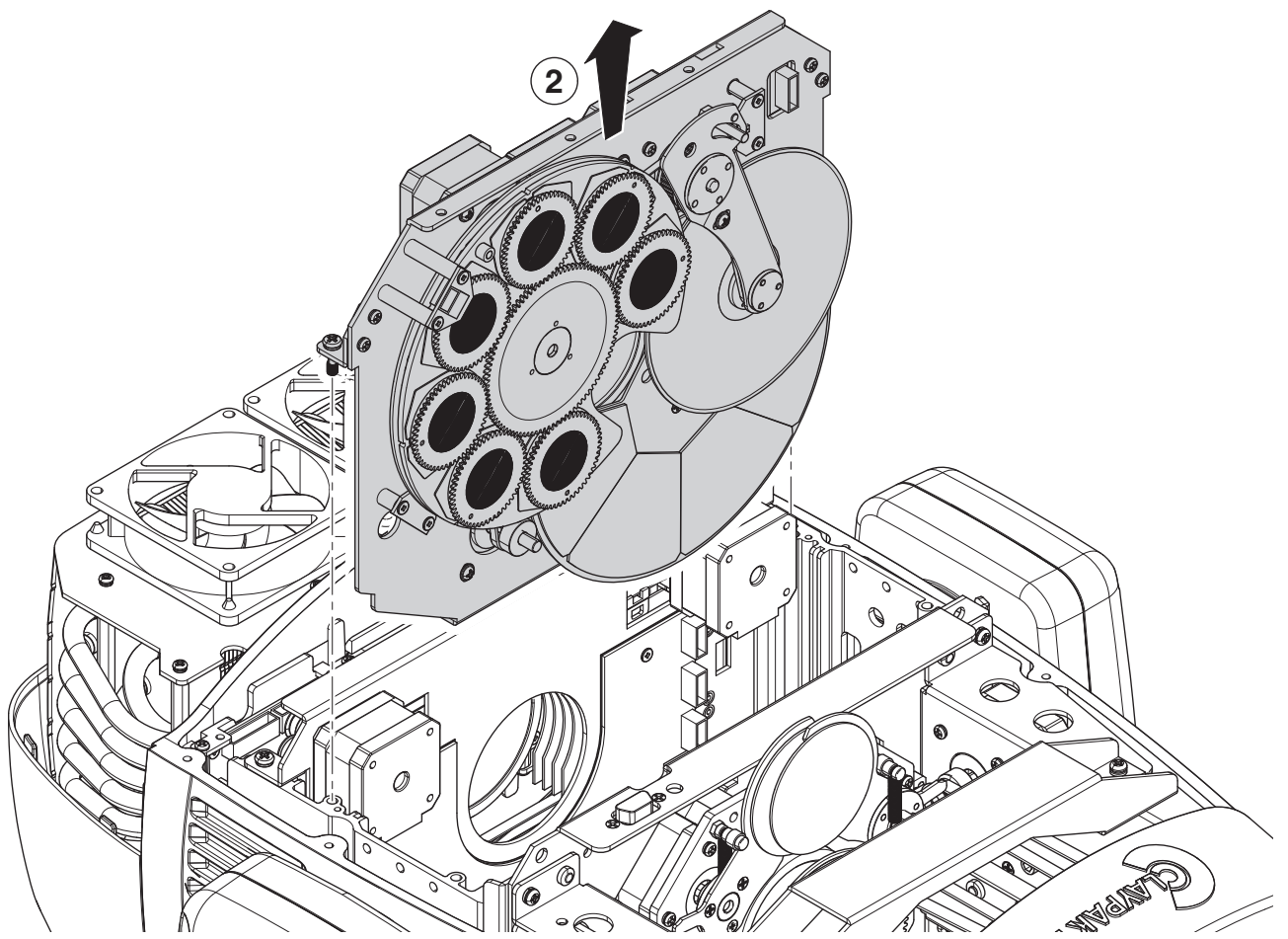
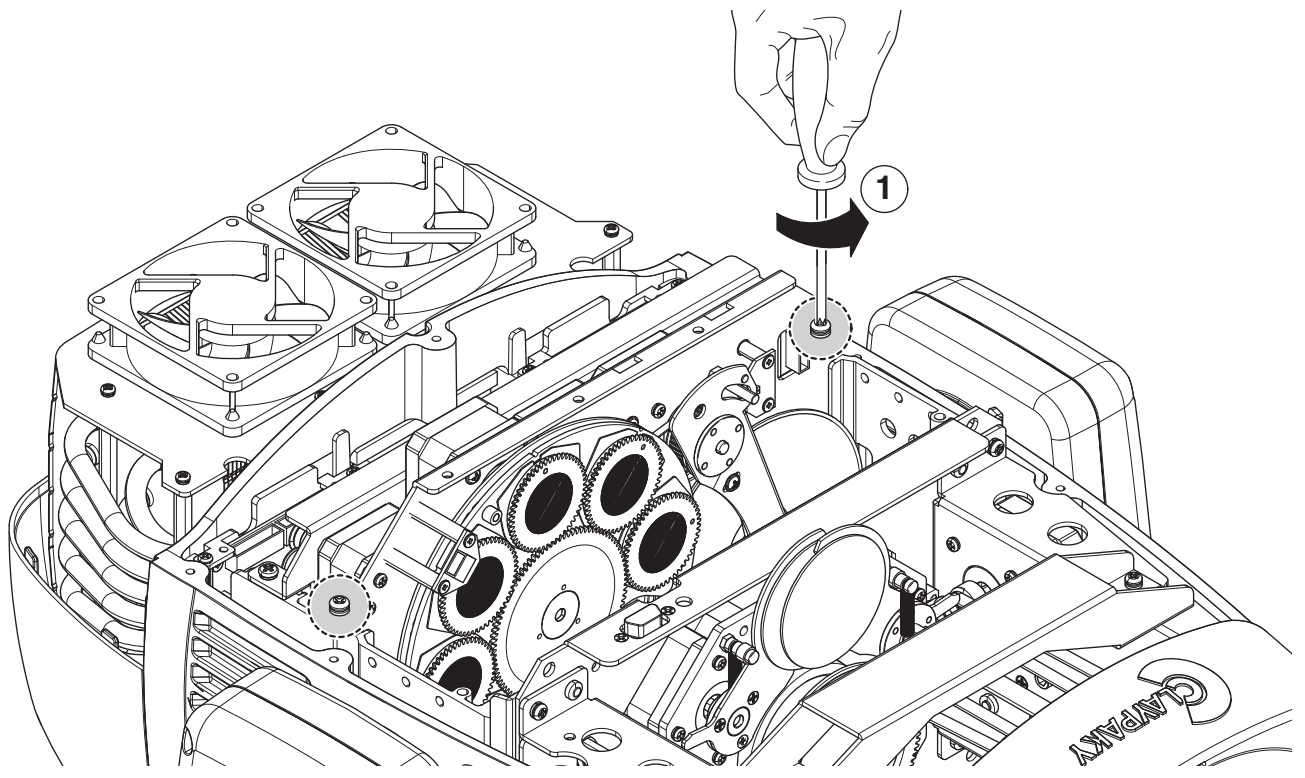
Extraction of the effect modules - Fig. 14.

IMPORTANT: Grasp the modules using the support structure and not the details which could get damaged.

Insertion of the effect modules: Repeat the operations indicated in Fig. 14, 15 and 16 in reverse order.

NOTE:

- Do not disconnect wiring harnesses when the fixture is switched on, to avoid to damage electronic boards.
- Do not switch on the fixture with wiring harness disconnected.



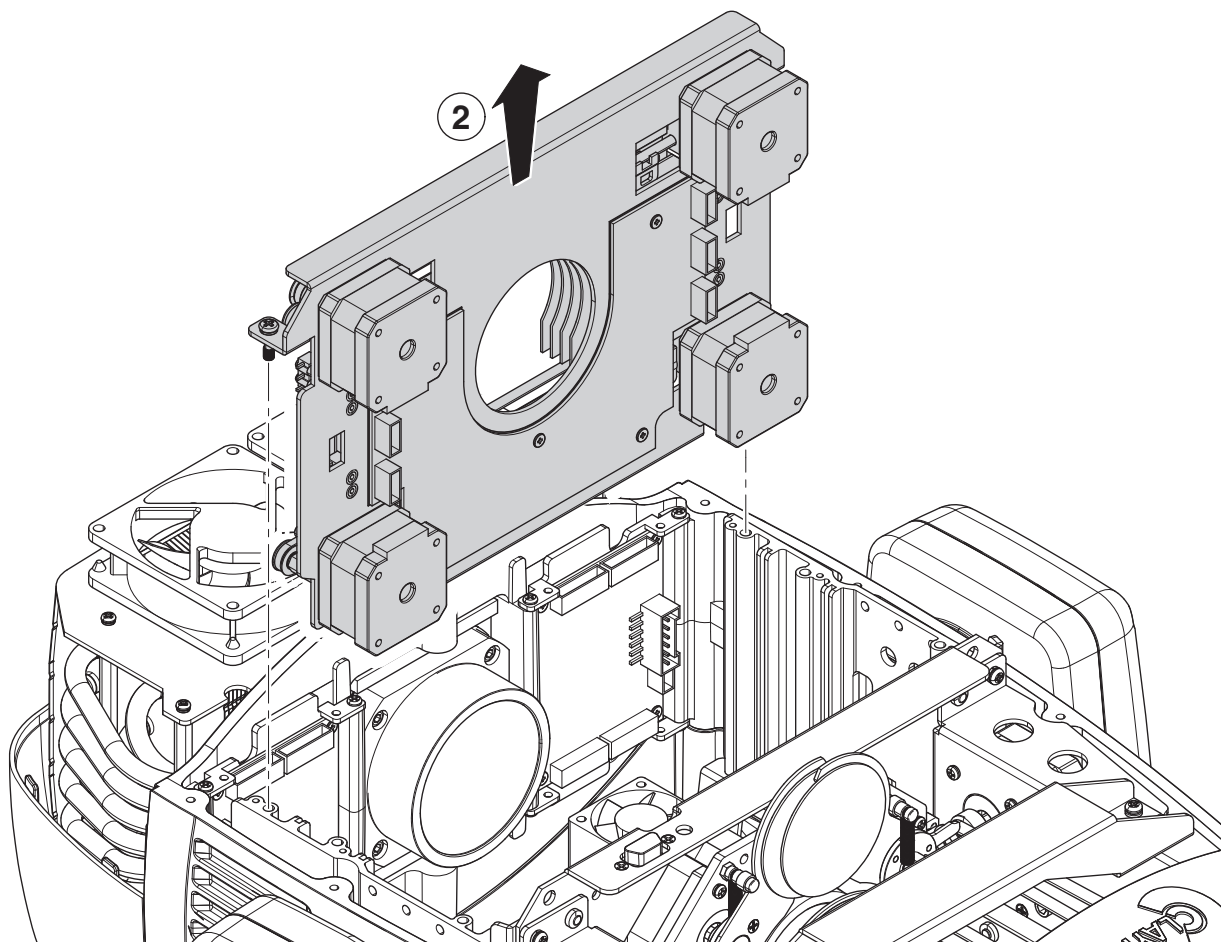
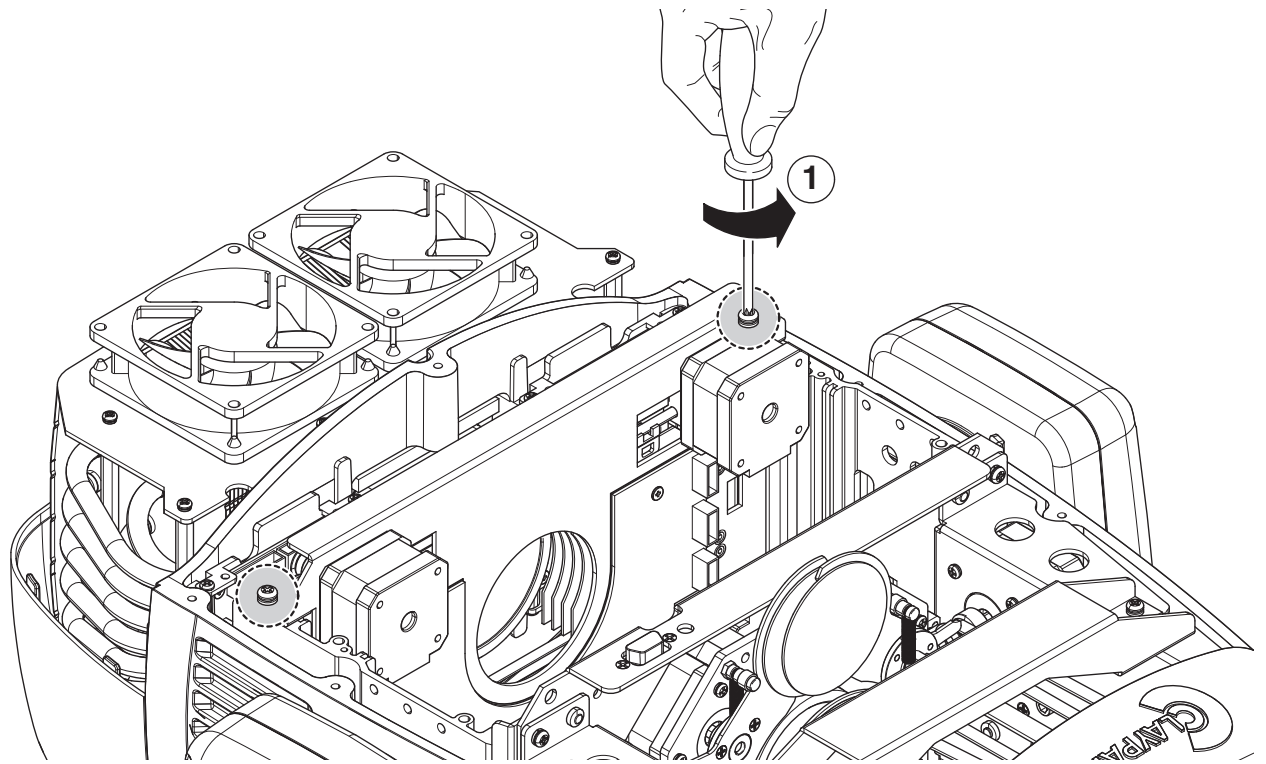
Extraction of the effect modules - Fig. 15.

IMPORTANT: Grasp the modules using the support structure and not the details which could get damaged.

Insertion of the effect modules: Repeat the operations indicated in Fig. 14, 15 and 16 in reverse order.

NOTE:

- Do not disconnect wiring harnesses when the fixture is switched on, to avoid to damage electronic boards.
- Do not switch on the fixture with wiring harness disconnected.



Extraction of the effect modules - Fig. 16.

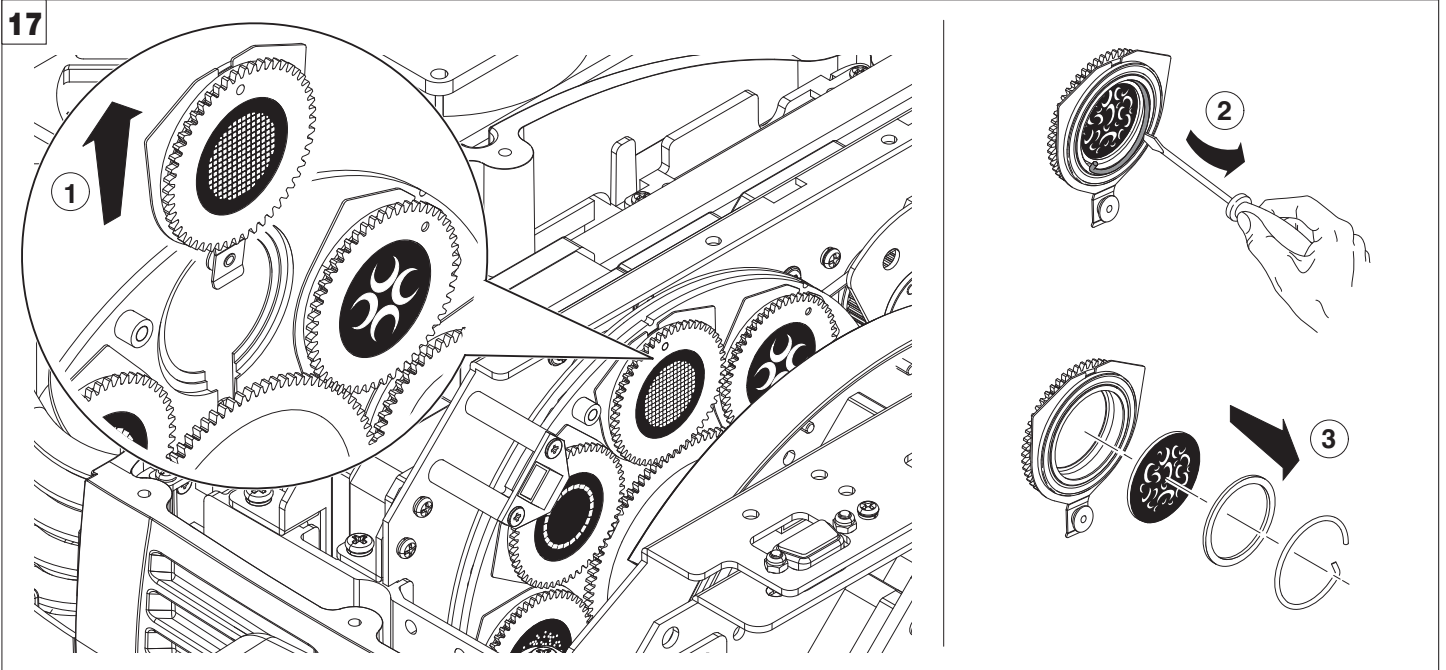
IMPORTANT: Grasp the modules using the support structure and not the details which could get damaged.

Insertion of the effect modules: Repeat the operations indicated in Fig. 14, 15 and 16 in reverse order.

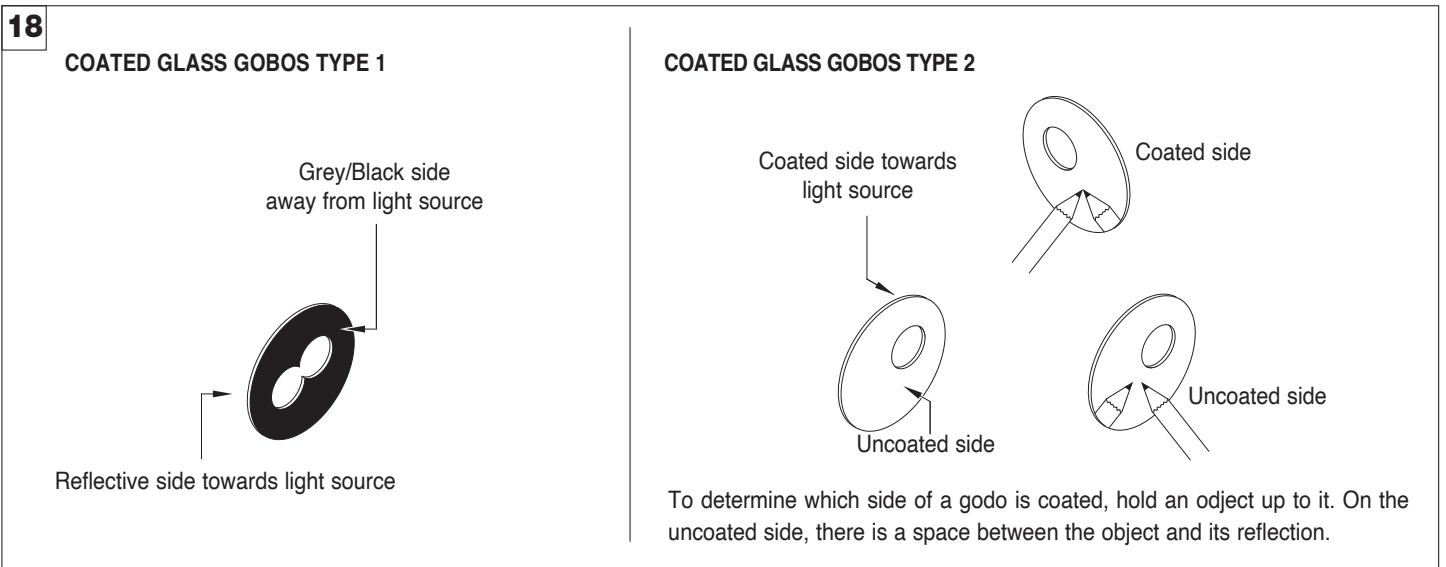
NOTE:

- Do not disconnect wiring harnesses when the fixture is switched on, to avoid to damage electronic boards.
- Do not switch on the fixture with wiring harness disconnected.

4.4 - Rotating gobos

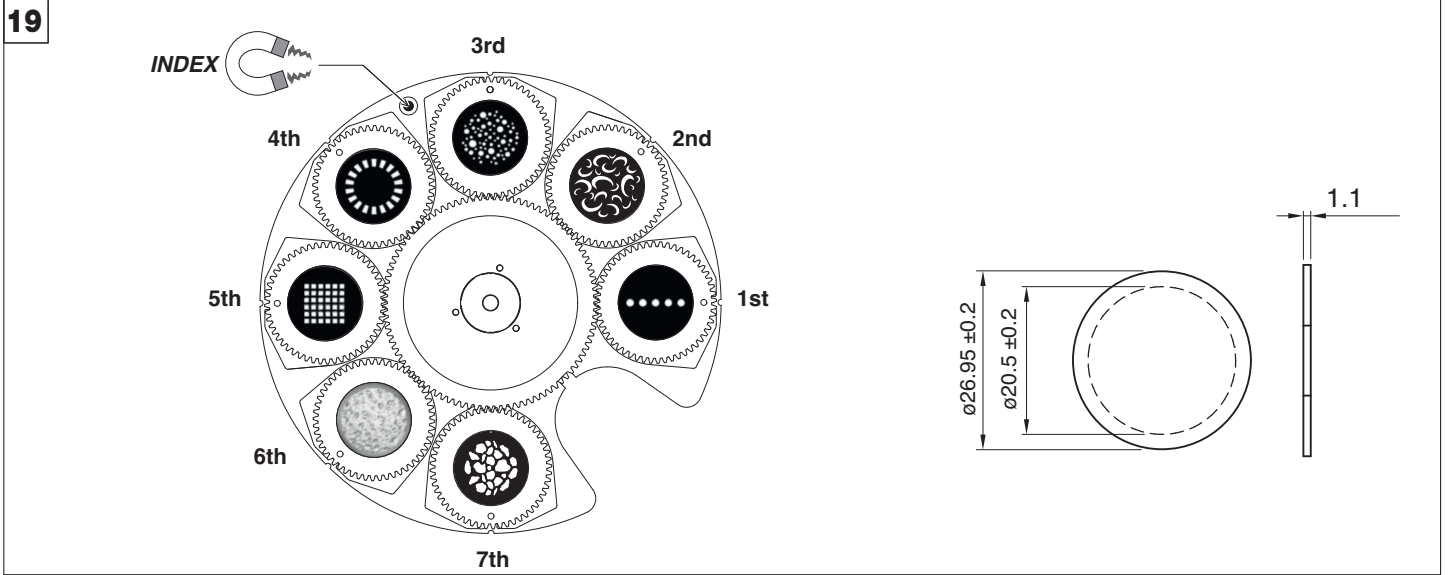


Gobo holder replacement - Fig. 17



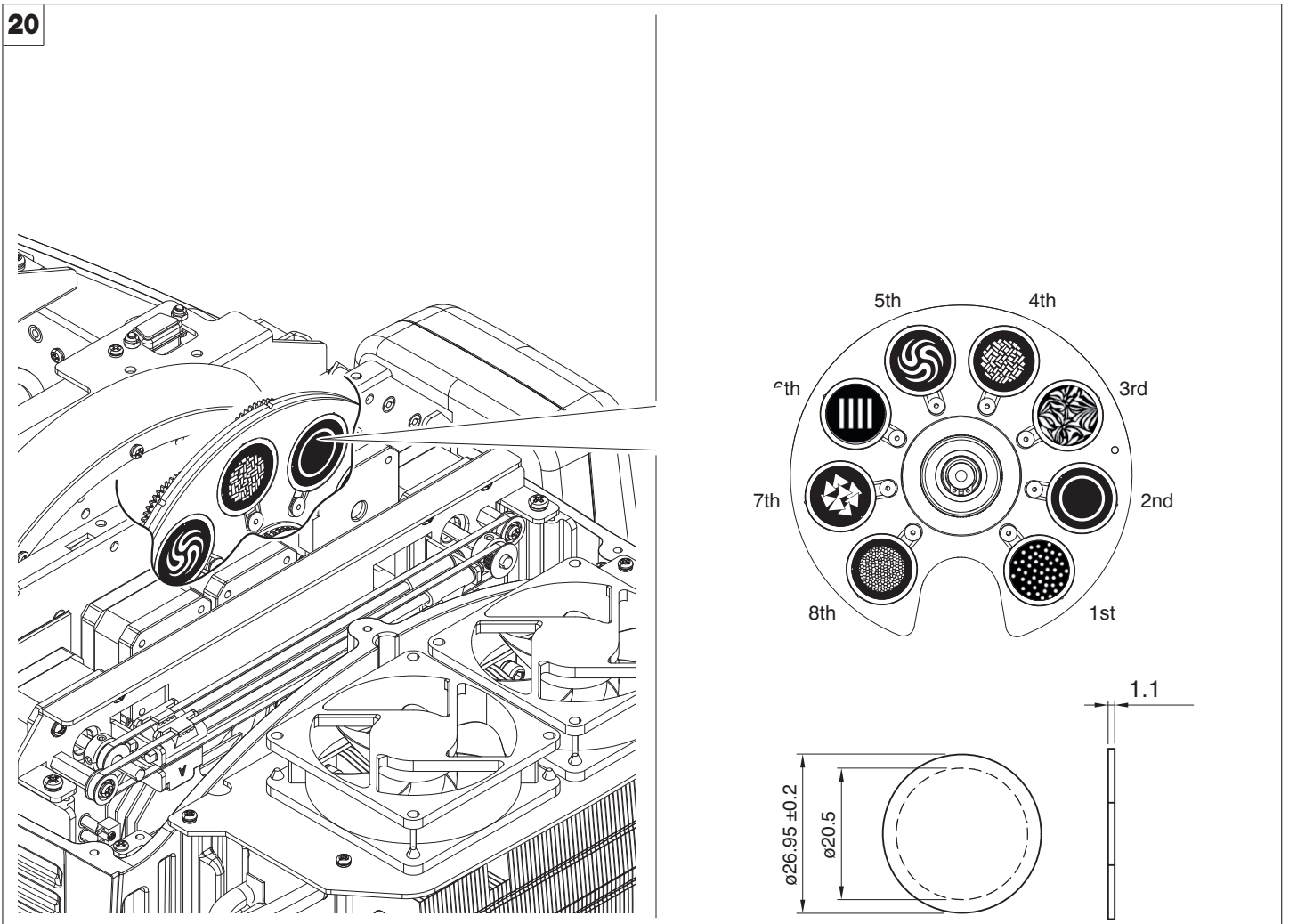
Gobo orientation - Fig. 18

The picture shows the correct gobos orientation.



Replacing rotating gobos - Fig. 19

- Original gobos have a special coating designed specifically to resist to high temperatures;
- **IMPORTANT** The rotating gobo wheel only uses dichroic glass gobos. Do not use metal gobos.
- For any additional information please contact Claypaky service center.

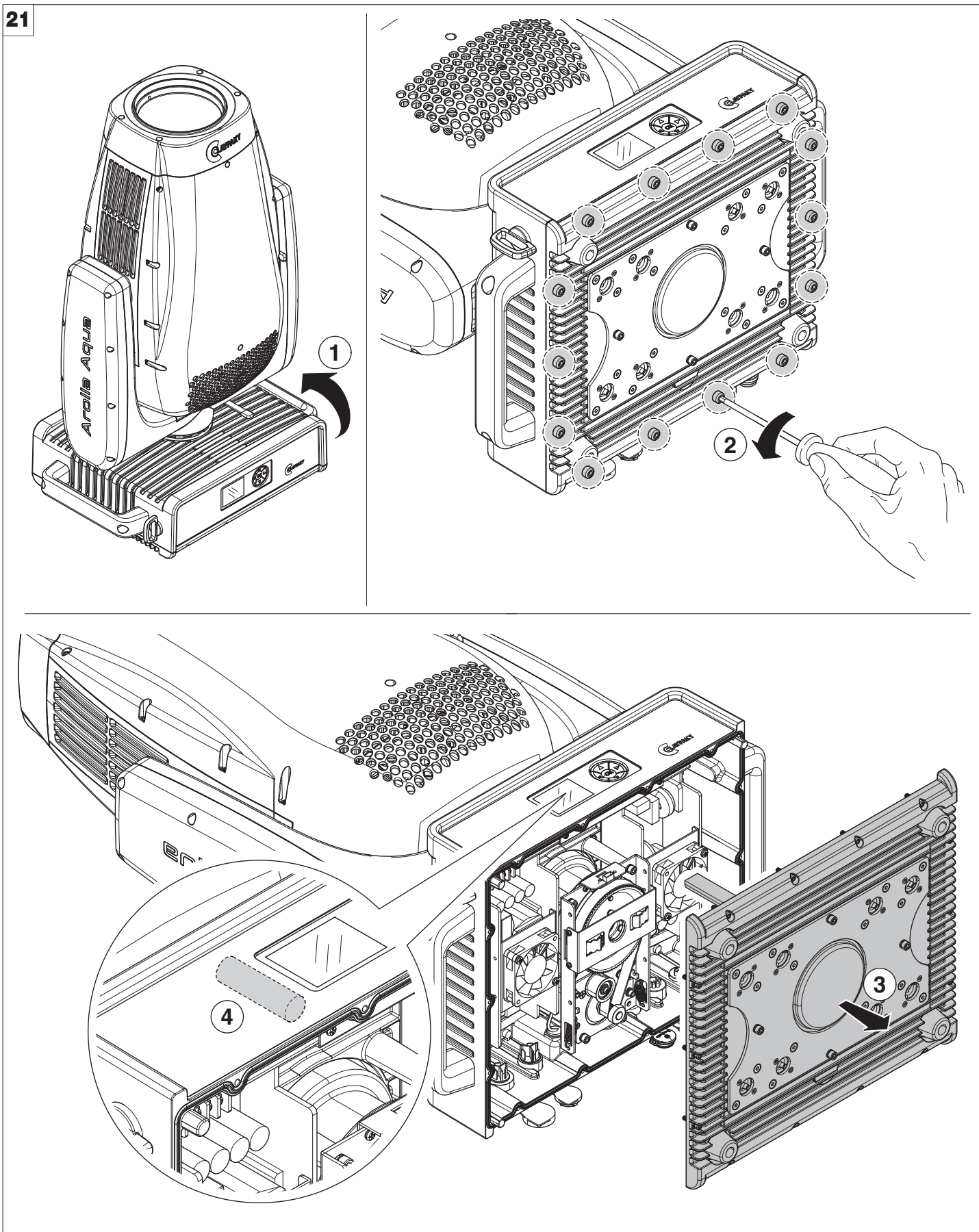


Static gobo - Fig. 20

- Original gobos have a special coating designed specifically to resist to high temperatures;
- **IMPORTANT:** Do not use metal gobos.
- For any additional information please contact Claypaky service center.

4.5 Battery removal

21

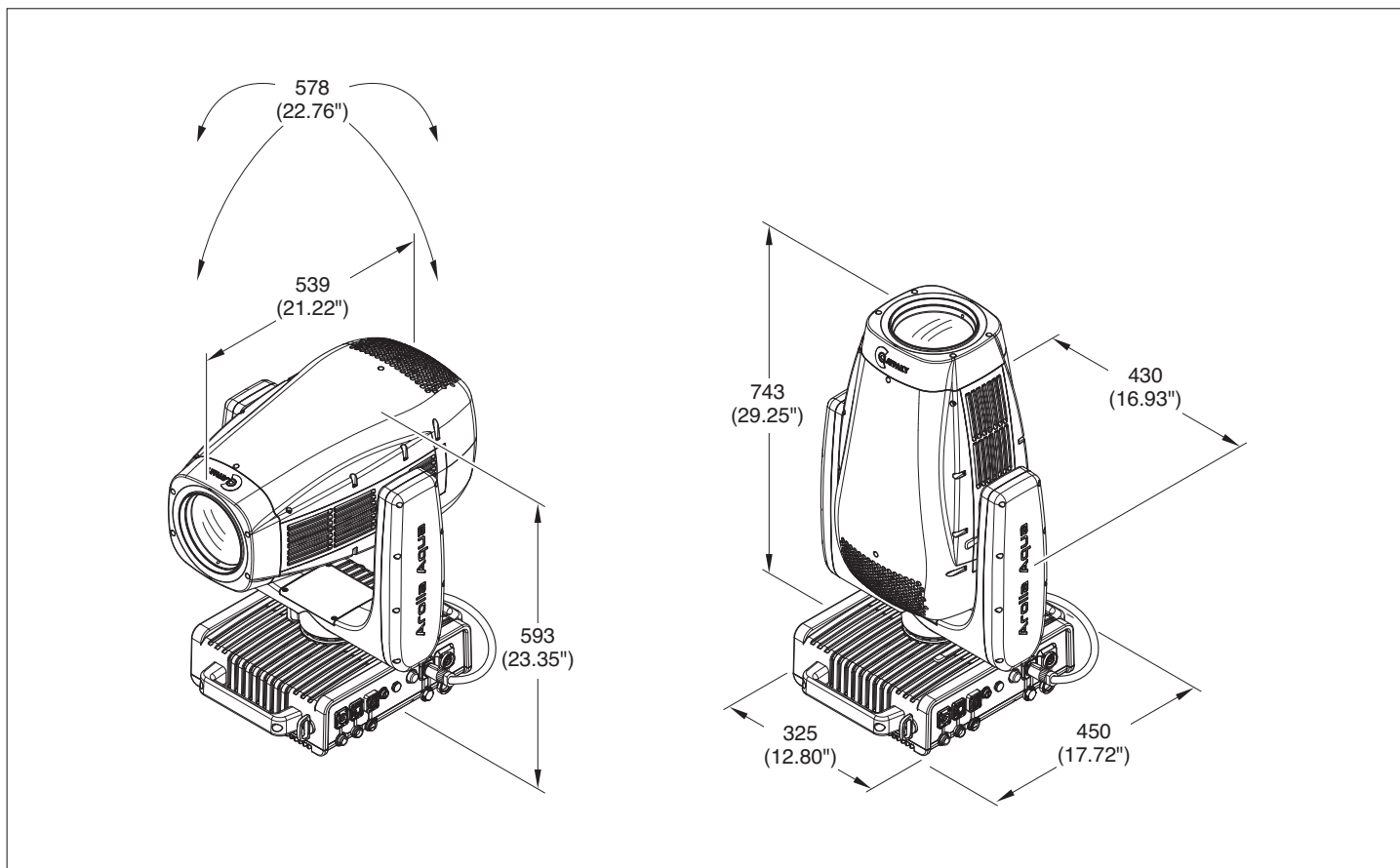


Battery removal - Fig. 21



This product contains a rechargeable battery. To preserve the environment, please dispose the battery at the end of its life according to the regulation in force.

5. DIMENSIONS



Cause and solution of problems

THE PROJECTOR WILL NOT SWITCH ON				PROBLEMS
ELECTRONICS NON-OPERATIONAL				
DEFECTIVE PROJECTION				
REDUCED LUMINOSITY				
		POSSIBLE CAUSES	CHECKS AND REMEDIES	
●		No mains supply.	Check the power supply voltage.	
●	●	LED source exhausted or defective.	Replace the LED source. (See instructions).	
	●	Signal transmission cable faulty or disconnected.	Replace the cables.	
	●	Incorrect addressing.	Check addresses (see instructions).	
	●	Fault in the electronic circuits.	Call an authorized technician.	
	●	Lenses broken	Call an authorized technician.	
	●	●	Dust or grease deposited.	Clean (see instructions).

